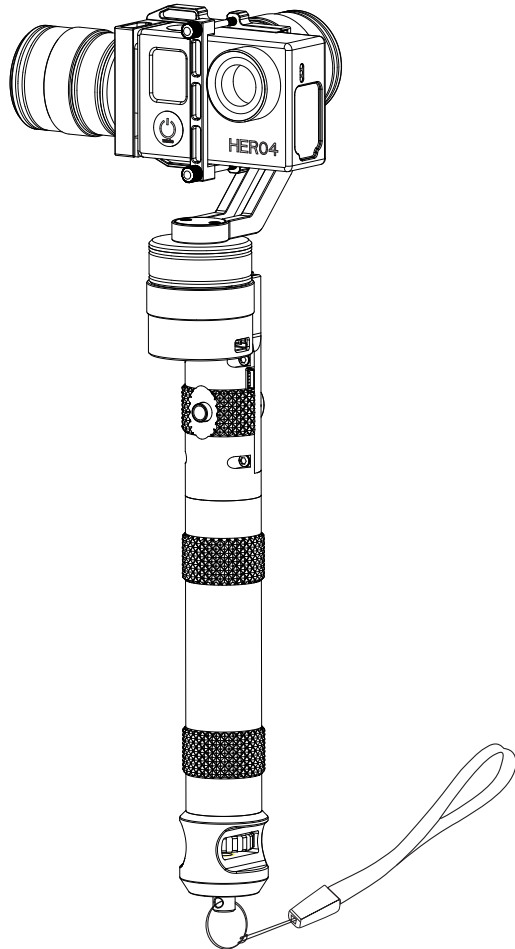


# User Manual

( Plugand play option)



## Disclaimers and Warnings

Thanks for purchasing our products. Please use the product strictly in accordance with this manual.

Please read this instruction manual carefully before using the product. By using this product, you hereby agree to this disclaimer and signify that you have read it in full.

The gimbal is calibrated well according to Gopro4 and lens, mount the camera and battery, switch on to use.

Please do not calibrate the gimbal or change the structure without prior notice. As our factory has no control over use, setup, final assembly, modification or misuse, no liability shall be assumed nor accepted for any resulting damager or injury. By the act of use, setup or assembly, the user accepts all resulting liability. We assume no liability for damages or injuries incurred directly or indirectly from the use of this product.

Any problems while mounting or using this product, please contact with the authorised agent or the customer service of our company.

## Description

For Gopro4/ Gopro3+/ Gopro3, XiaoYi Sport Camera and same size sport camera.

Full aluminum handle with comfortable holding feeling as well as easy- to-use by one hand.

Light weight, portable, friendly use, plug and play. Fast moving, chasing or turning, low angle shooting can be achieved easily. Battery life time more than 4 hours .

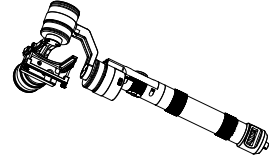
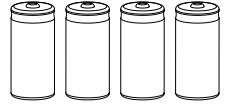
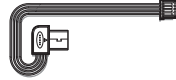
Easy to capture the distant views with external extension rod.

## Contents

Disclaimers and Warnings .....	2
Description .....	2
Contents .....	2
List .....	3
Gopro camera installation .....	3
Battery installation .....	4
Appearance & function button .....	4
Axis rotation sketch.....	5
Axes position customization .....	5
External extension rod .....	5
Characteristic .....	6
Care and maintenance .....	6
Common problem and solution .....	6

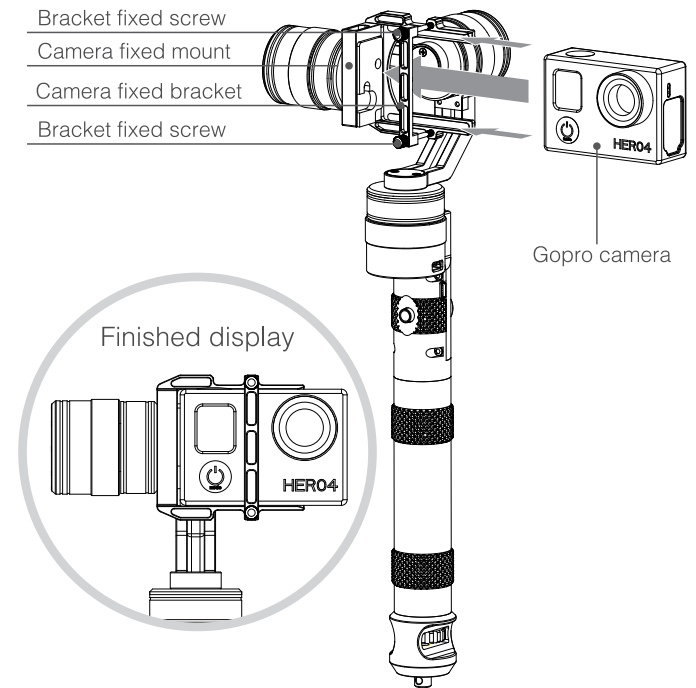
( V1.0 / 2015.06 )

## List

Gimbal x1	R123A/16340 3.7V x4
	
Charger cable x1	Others
	16340 charger x1

## GoPro camera installation

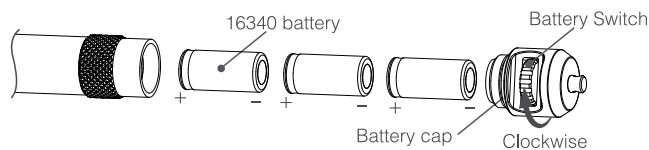
Gimbal with the reserved block for camera, please mount the camera as the picture shows.



Camera can be fixed more stable by adjusting the bracket fixed screw.

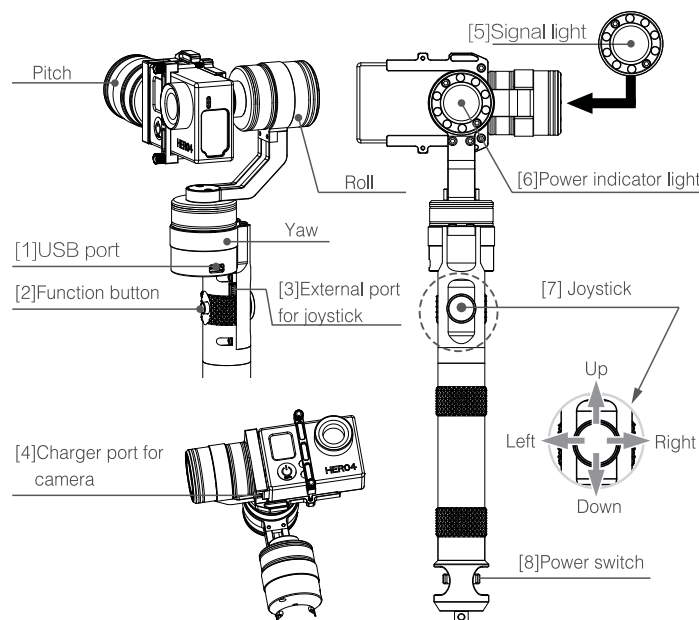
## Battery installation

1. Unscrew the battery cap of the handle, mount 3 fully charged batteries 16340.
2. Lock the battery cap.



1. Battery switch is the gimbal switch, please ensure the switch is off while mounting the battery. (Clockwise to switch on, counter clockwise to switch off;
2. Please note that the polarity of battery cannot reverse while mounting.
3. If battery fixed not firm enough, the battery will be bad contact or failed to read.

## Appearance & function button



[1] Micro USB port  
Setting modify and firmware upgrade

- [2] Function button  
This gimbal has four defaulted working modes before leaving the factory, switch as following steps,
1. Press 1 time, access Yaw Follow mode, sound "Da Da Di" means ok;
  2. Press 2 times, access Yaw Lock mode, sound " Da Da Di" means ok;
  3. Press 3 times, access Pitch Lock, Yaw Follow mode, sound "Da Da Di" means ok;

4. Press 4 times, access Yaw, Roll control switching mode, sound "Di" means ok.

[3] External port for joystick  
The gimbal movement control signal can be transferred to extension joystick by this port to switch working modes and control the gimbal from external.

[4] Charger port for camera  
Connect with charger cable to charge the camera.

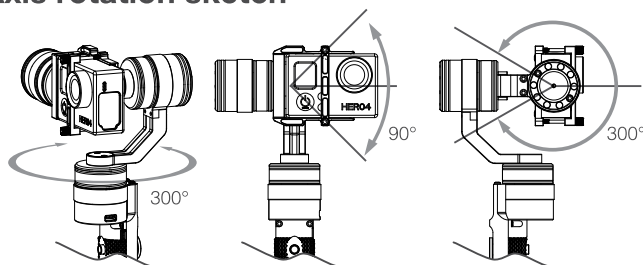
[5] Signal light  
The gimbal signal light on means the gimbal is in working state.

[6] Power indicator light  
Indicator light will be green when fully charged; Low battery warning will appear when turned yellow; It is time to charge the battery when the indicator light turned red and keep blinking.

[7] Joystick  
Four directions sliding button, up and down, right and left moving with camera.

[8] Power switch  
Power switch is battery switch as well as gimbal switch, mount the battery, turn clockwise to start.

## Axis rotation sketch



- Note: Please do not use the stabilizer with other angles except for the above, otherwise the stabilizer may not be used normally.

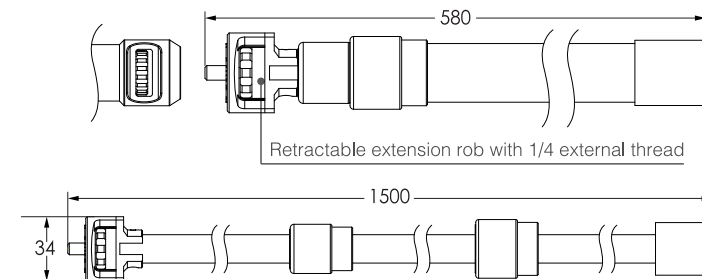
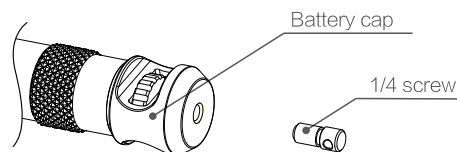
## ※Axes position customization

Setting method: Powe on the gimbal, rotate any axis by hand to the position you want for 3 seconds, the gimbal will record the current position automatically as the initial position.

## External extension rod (excluded)

External connection: Screw out 1/4 screw from battery cap, use the extension rod with 1/4 external thread to extend handheld bar, in order to capture the distant views easily.

Extension rod purchase: Our 1.5m handheld extension rod or the other extension rods with 1/4 thread can be compatible with the gimbal.



## Characteristic

Item	Min	Standard	Max	Comment
Operating voltage	7.4V	11.1V	12.6V	
Operating current	60mAh	80mAh	2.5A	
Static tracking accuracy	±0.01°		±0.04°	
Dynamic tracking accuracy	±0.1°	±0.2°	±0.04°	
Pitch range	-180°	0°	+120°	
Roll range	- 45°	0°	+45°	
Yaw range	- 150°	0°	+150°	Vertical handheld
Yaw range	- 50°	0°	+50°	Horizontal handheld
Pitch follow speed	1°/S		50°/S	
Yaw follow speed	1°/S		80°/S	
Battery life time (25 C )	1.5H	5H	6H	650mAh x3
Working temperature	- 20°	25°	45°	
Weight		370g		Without battery and camera

## Care and maintenance

Please keep sand proof, dust proof and water proof while using. Please clean the gimbal with soft dry cloth when available.

## Common problem and solution

1. How to do if the gimbal drifts while using?  
Solution: It may caused by error of the temperature or magnetic effect, please connect the gimbal with computer for six direction calibration.